



Rice Warmer
Model CE-CN-0020-R
Item 43423
Instruction Manual



Revised - 04/16/2021



Toll Free: 1-800-465-0234
Fax: 905-607-0234
Email: service@omcan.com
www.omcan.com

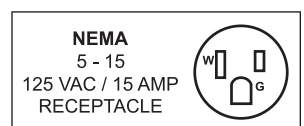


Table of Contents

Model CE-CN-0020-R

Section	Page
General Information -----	3 - 4
Safety and Warranty -----	4 - 5
Technical Specifications -----	6
Operation -----	6
Maintenance -----	6 - 7
Parts Breakdown -----	7 - 8
Electrical Schematics -----	9
Notes -----	10
Warranty Registration -----	11



General Information

Omcan Manufacturing and Distributing Company Inc., Food Machinery of America, Inc. dba Omcan and Omcan Inc. are not responsible for any harm or injury caused due to any person's improper or negligent use of this equipment. The product shall only be operated by someone over the age of 18, of sound mind, and not under the influence of any drugs or alcohol, who has been trained in the correct operation of this machine, and is wearing authorized, proper safety clothing. Any modification to the machine voids any warranty, and may cause harm to individuals using the machine or in the vicinity of the machine while in operation.

CHECK PACKAGE UPON ARRIVAL

Upon receipt of an Omcan shipment please inspect for external damage. If no damage is evident on the external packaging, open carton to ensure all ordered items are within the box, and there is no concealed damage to the machine. If the package has suffered rough handling, bumps or damage (visible or concealed), please note it on the bill of lading before accepting the delivery and contact Omcan within 24 hours, so we may initiate a claim with the carrier. A detailed report on the extent of the damage caused to the machine must be filled out within three days, from the delivery date shown in the shipping documents. Omcan has no recourse for damaged products that were shipped collect or third party.

Before operating any equipment, always read and familiarize yourself with all operation and safety instructions.

Omcan would like to thank you for purchasing this machine. It's of the utmost importance to save these instructions for future reference. Also save the original box and packaging for shipping the equipment if servicing or returning of the machine is required.

Omcan Fabrication et distribution Compañie Limité et Food Machinery d'Amérique, dba Omcan et Omcan Inc. ne sont pas responsables de tout dommage ou blessure causé du fait que toute personne ait utilisé cet équipement de façon irrégulière. Le produit ne doit être exploité que par quelqu'un de plus de 18 ans, saine d'esprit, et pas sous l'influence d'une drogue ou d'alcool, qui a été formé pour utiliser cette machine correctement, et est vêtu de vêtements de sécurité approprié. Toute modification de la machine annule toute garantie, et peut causer un préjudice à des personnes utilisant la machine ou des personnes à proximité de la machine pendant son fonctionnement.

VÉRIFIEZ LE COLIS DÈS RÉCEPTION

Dès réception d'une expédition d'Omcan veuillez inspecter pour dommages externes. Si aucun dommage n'est visible sur l'emballage externe, ouvrez le carton afin de s'assurer que tous les éléments commandés sont dans la boîte, et il n'y a aucun dommage dissimulé à la machine. Si le colis n'a subi aucune mauvaises manipulations, de bosses ou de dommages (visible ou cachée), notez-le sur le bond de livraison avant d'accepter la livraison et contactez Omcan dans les 24 heures qui suivent, pour que nous puissions engager une réclamation auprès du transporteur. Un rapport détaillé sur l'étendue des dommages causés à la machine doit être rempli dans un délai de trois jours, à compter de la date de livraison indiquée dans les documents d'expédition. Omcan n'a aucun droit de recours pour les produits endommagés qui ont été expédiés ou cueilli par un tiers transporteur.

General Information

Avant d'utiliser n'importe quel équipement, toujours lire et vous familiariser avec toutes les opérations et les consignes de sécurité.

Omcan voudrais vous remercier d'avoir choisi cette machine. Il est primordial de conserver ces instructions pour une référence ultérieure. Également conservez la boîte originale et l'emballage pour l'expédition de l'équipement si l'entretien ou le retour de la machine est nécessaire.

Omcan Empresa De Fabricacion Y Distribucion Inc. Y Maquinaria De Alimentos De America, Inc. dba Omcan y Omcan Inc. no son responsables de ningun daño o perjuicio causado por cualquier persona inadecuada o el uso descuidado de este equipo. El producto solo podra ser operado por una persona mayor de 18 años, en su sano juicio y no bajo alguna influencia de droga o alcohol, y que este ha sido entrenado en el correcto funcionamiento de esta máquina, y ésta usando ropa apropiada y autorizada. Cualquier modificación a la máquina anula la garantía y puede causar daños a las personas usando la máquina mientras esta en el funcionamiento.

REVISE EL PAQUETE A SU LLEGADA

Tras la recepcion de un envio Omcan favor inspeccionar daños externos. Si no hay daños evidentes en el empaque exterior, Habra el carton para asegurarse que todos los articulos solicitados estén dentro de la caja y no encuentre daños ocultos en la máquina. Si el paquete ha sufrido un manejo de poco cuidado, golpes o daños (visible o oculto) por favor anote en la factura antes de aceptar la entrega y contacte Omcan dentro de las 24 horas, de modo que podamos iniciar una reclamación con la compañía. Un informe detallado sobre los daños causados a la máquina debe ser llenado en el plazo de tres días, desde la fecha de entrega que se muestra en los documentos de envío. Omcan no tiene ningun recurso por productos dañados que se enviaron a recoger por terceros.

Antes de utilizar cualquier equipo, siempre lea y familiarizarse con todas las instrucciones de funcionamiento y seguridad.

Omcan le gustaría darle las gracias por la compra de esta máquina. Es de la mayor importancia para salvar estas instrucciones para futuras consultas. Además, guarda la caja original y el embalaje para el envío del equipo si servicio técnico o devolución de la máquina que se requiere.

Safety and Warranty

IMPORTANT SAFEGUARDS

1. Read all instructions.
2. Do not touch the hot surface. Only touch the handles and knobs.
3. To protect against electrical shock, do not immerse the cord or plug in water or other liquid.
4. Close supervision is necessary when any appliance is used by or near children.
5. Unplug from the outlet when not in use and before cleaning. Allow the unit to cool completely before putting



Safety and Warranty

on or taking off parts.

6. Do not operate if the cord or plug is damaged, or if the machine is not operating correctly. Call Omcan for any service.
7. Do not use accessories or attachments that are not intended to be used with this machine.
8. For indoor use only.
9. Do not let the cord hang over the edge of a table or counter.
10. Do not place on or near any hot surfaces.
11. Extreme caution must be used when moving an appliance containing any hot liquid.
12. Always attach the plug to the appliance first, then plug the cord into the outlet. Ensuring the units is set to OFF first. To disconnect, ensure the unit is switched off then remove the plug from the outlet.
13. Do not use the appliance for anything other than its intended use.
14. Do not use hard, metal objects to scoop the rice from the warmer. Doing so will damage the non-stick coating.

1 YEAR PARTS AND LABOUR BENCH WARRANTY

Within the warranty period, contact Omcan Inc. at 1-800-465-0234 to schedule a drop off to either an Omcan authorized service depot in the area, or to an Omcan Service warehouse to repair the equipment.

Unauthorized maintenance will void the warranty. Warranty covers electrical and part failures, not improper use.

Please see <https://omcan.com/disclaimer> for complete info.

WARNING:

The packaging components are classified as normal solid urban waste and can therefore be disposed of without difficulty.

In any case, for suitable recycling, we suggest disposing of the products separately (differentiated waste) according to the current norms.

DO NOT DISCARD ANY PACKAGING MATERIALS IN THE ENVIRONMENT!

Technical Specifications

Model	CE-CN-0020-R
Warming Temperature	71 - 75°C / 159.8 - 167°F
Power	103 W
Electrical	110V / 60Hz / 1
Rice Capacity	20 L / 96 cups of cooked rice (approx.)
Weight	18 lbs. / 8.2 kgs.
Packaging Weight	21 lbs. / 9.55 kgs.
Dimensions	18.9" x 15" x 15" / 480 x 381 x 381mm
Packaging Dimensions	18" x 18" x 16" / 457 x 457 x 406mm
Item Number	43423

Operation

1. Plug in the unit and switch the power to ON. Pre-heat the rice warmer for 30 minutes before using.
2. Put the cooked rice into the inner pot.
Important: Do not put any other pot into the rice warmer inner pot.
3. When there is only a little bit of rice left at the bottom of the pot, turn off the unit and unplug. This will prevent the rice from becoming dry and hardening.
4. To keep the rice from drying out while operating, add some clean water to the rice to replace the moisture that was lost due to evaporation.
5. Unplug when not in use.

Note: This machine is only meant to keep rice warm, do not use this machine to cook the rice.

Note: Do not run the machine for over 12 hours.

Maintenance

1. Prevent the bottom and inside of the pan, as well as the heating plate from being dented or damaged. Keep them clean. Do not drop rice grains or other foreign matter or water between the heating plate and pan; otherwise the performance of the warmer will be affected, and in serious cases, the parts can burn out.
2. Do not incline or slant the pan; otherwise the bottom will not be consistently contacted with the heater and parts may fail or burn out quickly.
3. Do not immerse the warmer in water or other liquid. Only clean with a soft and damp cloth. Only the pan itself can be washed with water, but only when it is removed. Ensure the pan is completely dry before placing it back on the heater.
4. Do not use corrosive agents on or near the unit.

Maintenance

5. Do not use the unit on or near combustibles.
6. All servicing must be performed by Omcan or an authorized Omcan agent.
7. This product is designed for household and indoor use only.

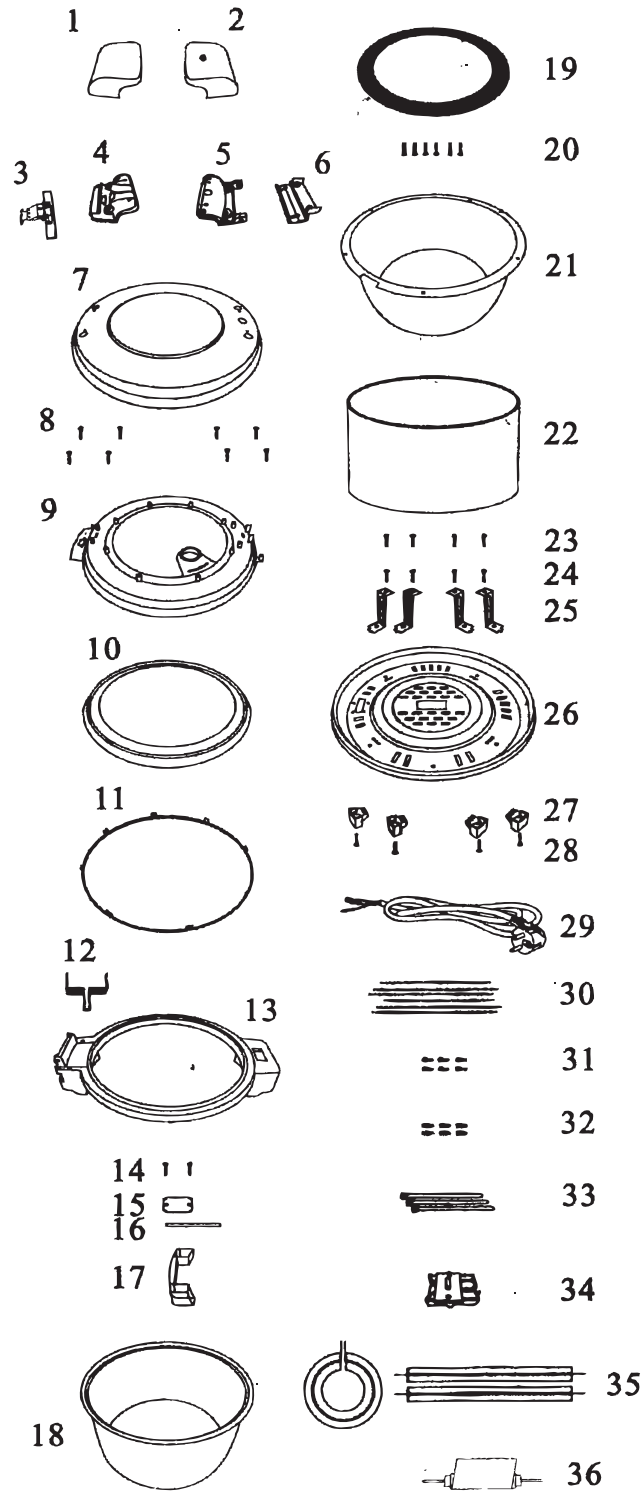
Parts Breakdown

Model CE-CN-0020-R 43423

Item No.	Description	Position	Item No.	Description	Position	Item No.	Description	Position
68811	Plastic Knob for 43423	1	68823	Plastic Medium Ring for 43423	13	68835	Lifting Leg for 43423	25
68812	Plastic Knob for 43423	2	68824	Screw for 43423	14	68836	Base for 43423	26
68813	Front Button for 43423	3	68825	Hold-Down Plate of Spring for 43423	15	68837	Plastic Feet for 43423	27
68814	Plastic Knob for 43423	4	68826	Bolt for 43423	16	68838	Screw for 43423	28
68815	Plastic Knob for 43423	5	68827	Collected Cup for 43423	17	68839	Wire for 43423	29
68816	Spring of Cover for 43423	6	68828	Aluminum Pot for 43423	18	68840	Inside Fittings for 43423	30
68817	Stainless Steel Cover for 43423	7	68829	Plastic Ring for 43423	19	68841	Rolling Terminal for 43423	31
68818	Screw of Cover for 43423	8	68830	Screw for 43423	20	68842	Binding Wire for 43423	32
68819	Plastic Inner Cover for 43423	9	68831	Middle Level for 43423	21	68843	Fixation Nip for 43423	33
68820	Silica Gel Ring for 43423	10	68832	Stainless Steel Enclosure for 43423	22	68844	Pressing Screw for 43423	34
68821	Aluminum Cover for 43423	11	68833	Screw for 43423	23	68845	Heating Wire for 43423	35
68822	Spring for 43423	12	68834	Screw for 43423	24	68846	Thermostat for 43423	36

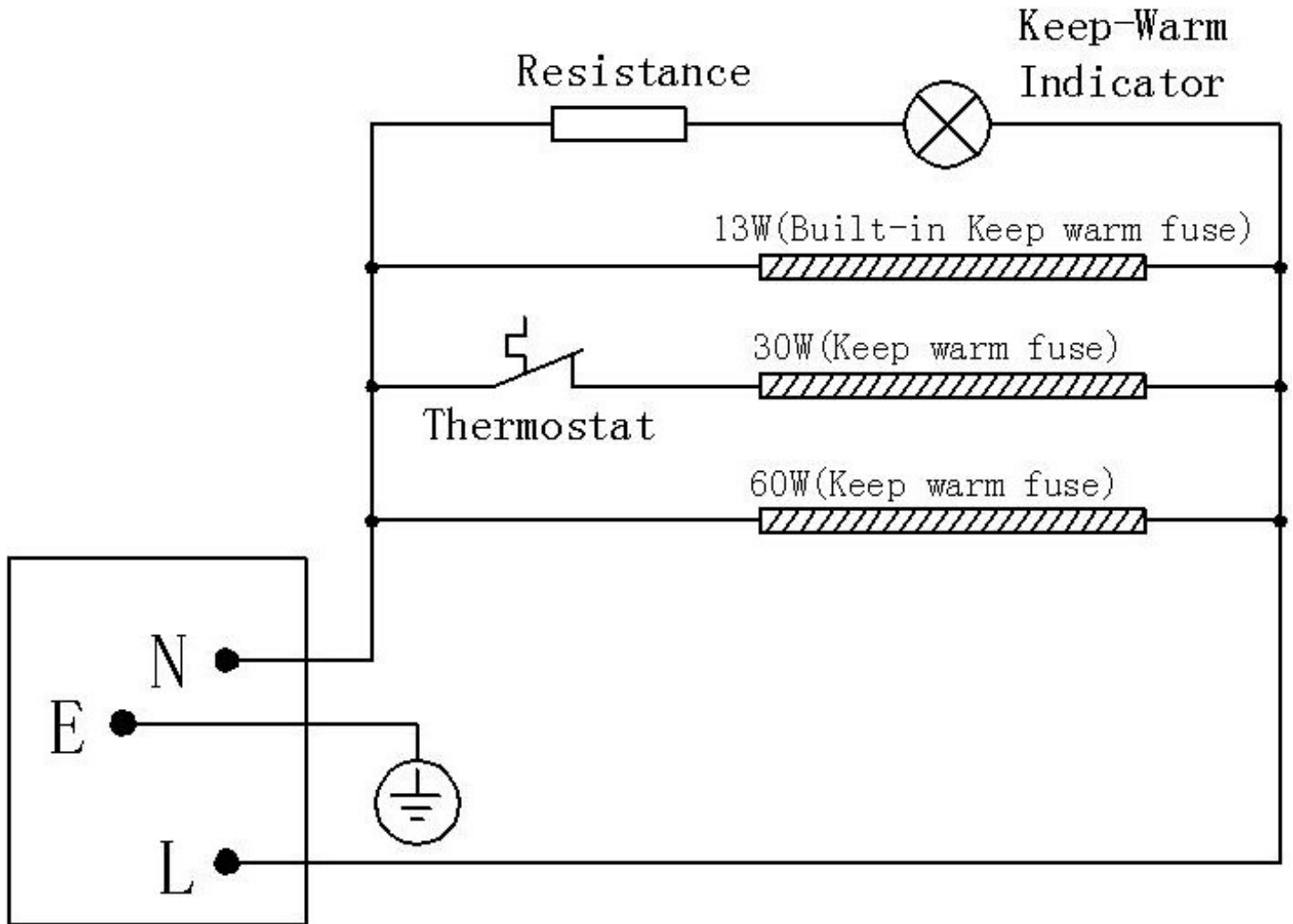
Parts Breakdown

Model CE-CN-0020-R 43423



Electrical Schematics

Model CE-CN-0020-R 43423





Warranty Registration

Thank you for purchasing an Omcan product. To register your warranty for this product, complete the information below, tear off the card at the perforation and then send to the address specified below. You can also register online by visiting:

Merci d'avoir acheté un produit Omcan. Pour enregistrer votre garantie pour ce produit, complétez les informations ci-dessous, détachez la carte au niveau de la perforation, puis l'envoyer à l'adresse spécifiée ci-dessous. Vous pouvez également vous inscrire en ligne en visitant:

Gracias por comprar un producto Omcan usted. Para registrar su garantía para este producto, complete la información a continuación, cortar la tarjeta en la perforación y luego enviarlo a la dirección indicada a continuación. También puede registrarse en línea en:

<https://omcan.com/warranty-registration/>

For mailing in Canada

Pour postale au Canada

Por correo en Canadá

OMCAN

PRODUCT WARRANTY REGISTRATION

3115 Pepper Mill Court,
Mississauga, Ontario
Canada, L5L 4X5

For mailing in the US

Pour diffusion aux États-Unis

Por correo en los EE.UU.

OMCAN

PRODUCT WARRANTY REGISTRATION

4450 Witmer Industrial Estates, Unit 4,
Niagara Falls, New York
USA, 14305

or email to: service@omcan.com



Purchaser's Information

Name: _____ Company Name: _____

Address: _____ Telephone: _____

City: _____ Province or State: _____ Postal or Zip: _____ Email Address: _____

Country: _____ Type of Company: _____

Dealer from which Purchased: _____ Restaurant Bakery Deli

Dealer City: _____ Dealer Province or State: _____ Butcher Supermarket Caterer

Invoice: _____ Institution (specify): _____

Other (specify): _____

Model Name: _____ Model Number: _____ Serial Number: _____

Machine Description: _____

Date of Purchase (MM/DD/YYYY): _____ Date of Installation (MM/DD/YYYY): _____

Would you like to extend the warranty? Yes No

Thank you for choosing Omcan | Merci d'avoir choisi Omcan | Gracias por elegir Omcan



Since 1951 Omcan has grown to become a leading distributor of equipment and supplies to the North American food service industry. Our success over these many years can be attributed to our commitment to strengthen and develop new and existing relationships with our valued customers and manufacturers. Today with partners in North America, Europe, Asia and South America, we continually work to improve and grow the company. We strive to offer customers exceptional value through our qualified local sales and service representatives who provide convenient access to over 5,000 globally sourced products.

Depuis 1951 Omcan a grandi pour devenir un des “leaders” de la distribution des équipements et matériel pour l’industrie des services alimentaires en Amérique du Nord. Notre succès au cours de ces nombreuses années peut être attribué à notre engagement à renforcer et à développer de nouvelles et existantes relations avec nos clients et les fabricants de valeur. Aujourd’hui avec des partenaires en Amérique du Nord, Europe, Asie et Amérique du Sud, nous travaillons continuellement à améliorer et développer l’entreprise. Nous nous efforçons d’offrir à nos clients une valeur exceptionnelle grâce à nos ventes locales qualifiées et des représentants de service qui offrent un accès facile à plus de 5000 produits provenant du monde entier.

Desde 1951 Omcan ha crecido hasta convertirse en un líder en la distribución de equipos y suministros de alimentos en América del Norte industria de servicios. Nuestro éxito en estos años se puede atribuir a nuestro compromiso de fortalecer y desarrollar nuevas relaciones existentes con nuestros valiosos clientes y fabricantes. Hoy con socios de América del Norte, Europa, Asia y América del Sur, que trabajan continuamente para mejorar y crecer la empresa. Nos esforzamos por ofrecer a nuestros clientes valor excepcional a través de nuestro local de ventas y representantes de los servicios que proporcionan un fácil acceso a más de 5,000 productos con origen a nivel mundial.

